

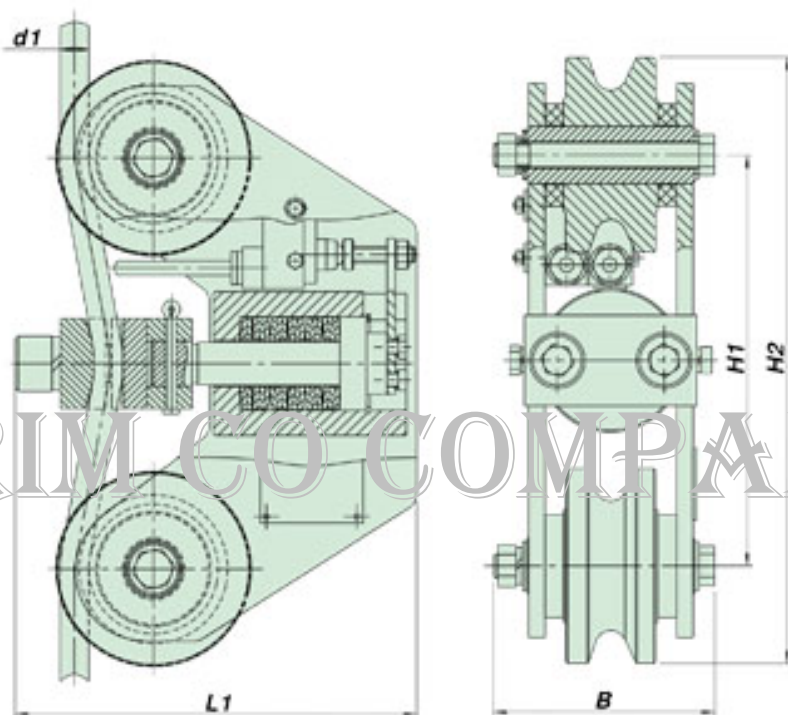
BOT



L.T.D. for projecting, manufacture, instalation and maintenance cranes, elevators and other machines

"PRIM CO COMPANY"

DONJA ORAHOVICA



<i>Tip</i>	<i>Nosivost N</i>	<i>d1 mm</i>	<i>L1 mm</i>	<i>H1 mm</i>	<i>H2 mm</i>	<i>B mm</i>	<i>Težina kg</i>
BOT 025	2500	6 ... 8	136	120	162	70	3.2
BOT 050	5000	6 ... 12	136	120	162	70	3.8
BOT 100	10000	8 ... 14	162	160	208	83	5.0
BOT 160	16000	10 ... 16	162	160	208	83	5.2
BOT 250	25000	12 ... 16	190	200	295	102	11.6
BOT 400	40000	14 ... 18	190	200	295	102	11.8
BOT 500	50000	14 ... 22	190	200	295	102	12.0